



Broadband Connectivity

Enclosures

MDU - S5

Splice Only/Connectorised

Application Information

The HellermannTyton S5 Series of wall mountable enclosures are suitable for both internal and external applications and have been developed for use within the last mile of the FTtx network.

The enclosure has been designed to accommodate the HellermannTyton IR Fibre Management System and offers the adaptability of point to Multi Point (P2MP) or Point to Point (P2P) configuration.

The enclosure can be supplied in a splice only configuration or as a connectorised version with 24 LC quad or 12 SC duplex connections.

Product Description

The enclosure is configured with the HellermannTyton IR Fibre Management System which can accommodate a maximum of 18 SE-IR, 36 SC-B or 9 x 900µm IR trays giving a maximum of 432 3A fibre splices.

An adaptor connection plate or splitter cassette management system can be fitted which will hold a maximum of 24 LC quad (or 12 SC duplex) adaptors (2 x connector plates) or 48 LC simplex (6 x cassettes) provide a maximum 96 customer connection points.

The enclosure is 568 x 375 x 165mm (H x W x D) and manufactured in light grey (RAL 7035), UV stable ABS (Acrylonitrile Butadiene Styrene) and has an IP54, IK08 and V0 rating.

Designed with 8 dual input/output ports, 4 across the bottom, 2 on the top and 2 on each side, each port will accommodate a 20 or 25mm cable gland.

A 100 x 25mm inset position on the front cover allows for a customer logo to be moulded in to the enclosure and a lock can be fitted if required.

Features and Benefits:

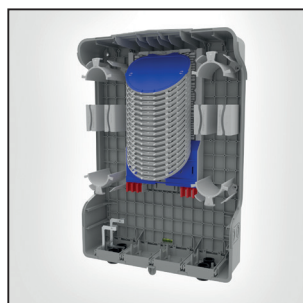
- Maximum 432 Fibre Splices
- IR Fibre Management System
- 18 SE/36 SC-B or 9 x 900µm Trays
- Multiple Loop Storage Management options
- 8 Dual Input/Output positions
- Strength Member Anchor
- In-built spirit level
- IP54/IK08
- UV Stable
- V0 Rating

Technical Data

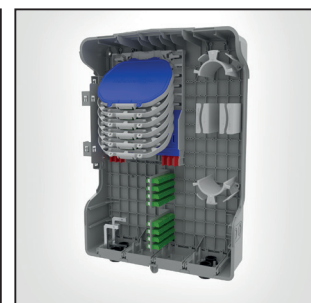
Dimensions (mm)	H	W	D
	568	375	165
Enclosure type	250µm Splice Only	900µm 48 Fibre Connectorised	900µm 96 Fibre Connectorised
Splice	Yes		
Tray Quantity / Type	36 SC-B-IR / 18 SE-IR	900µm	
Number and type of adaptors	N/A	48 LC	48 SC / 96 LC
IP Rating	IP54		
Mechanical IK protection	IK08		



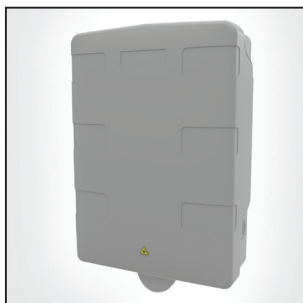
MDU - S5 with 900µm connectorised with 48 LC SX connections.



250µm splice only.



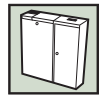
900µm connectorised with 24 LC QD.



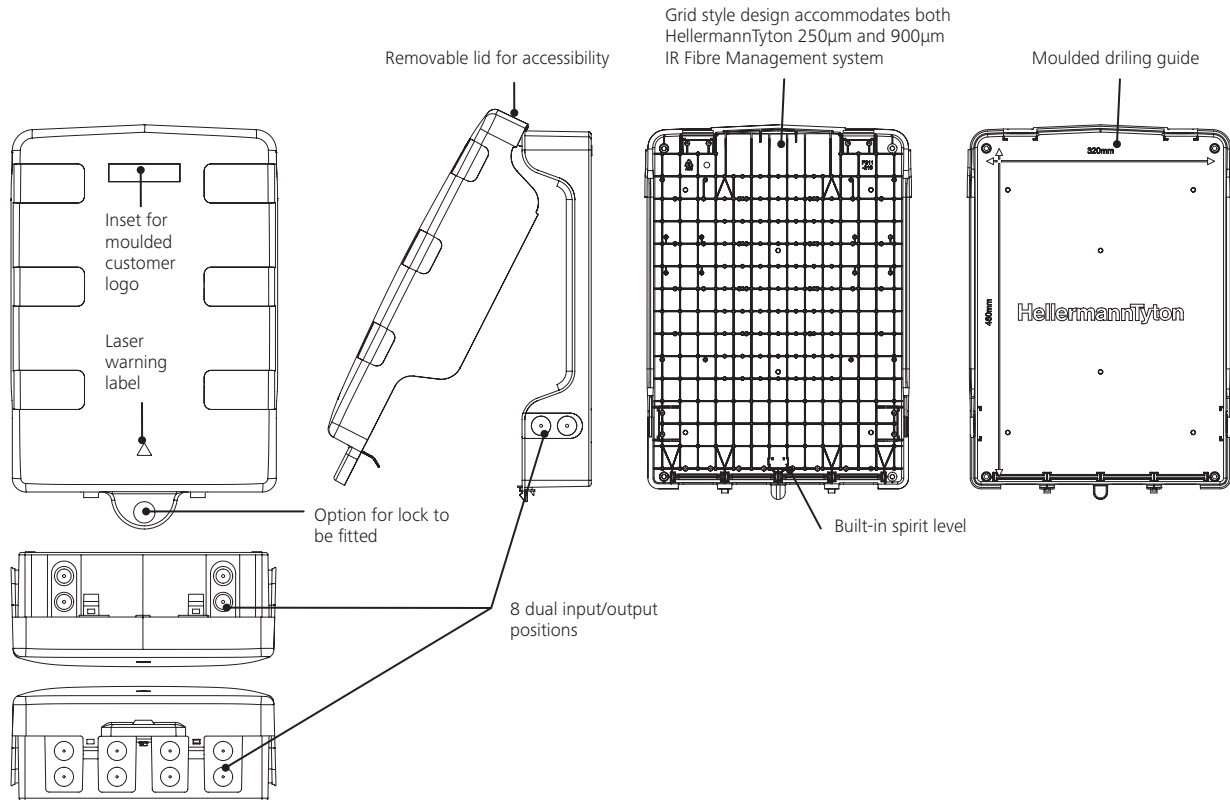
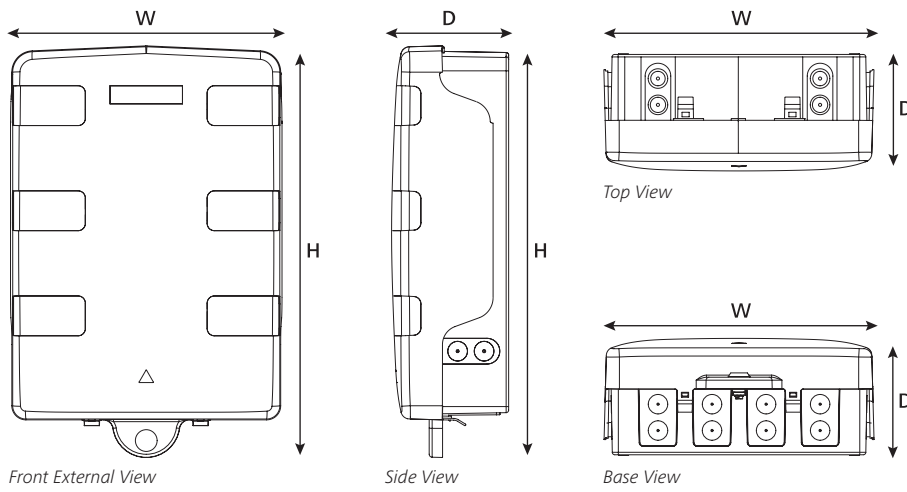
External view.



Internal view.



Technical Diagrams





MDU - S5 Mechanical Seals

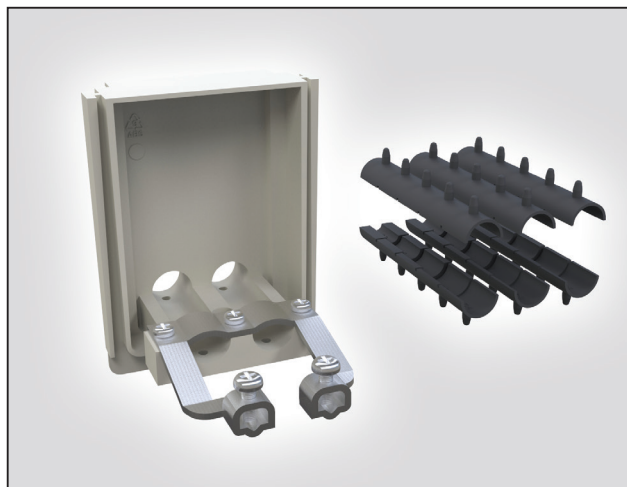
Fibre Optic Enclosures Accessories

Product Description

Two seals for the MDU-S5 to provide management for loop through applications and drop cable management.

Features and Benefits:

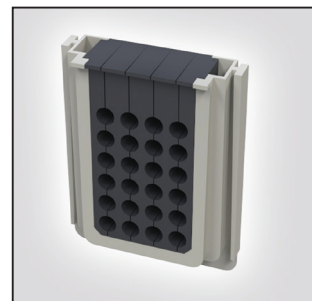
- Loop through seal for cable from 3.0mm to 14.0mm.
- Single seal to manage 24x7mm drops.
- Quick and simple to install.



MDU - S5 Loop Through Seal.



MDU - S5 Drop Seal.



MDU - S5 Drop Seal (detail).

MDU - S5 External Storage Basket

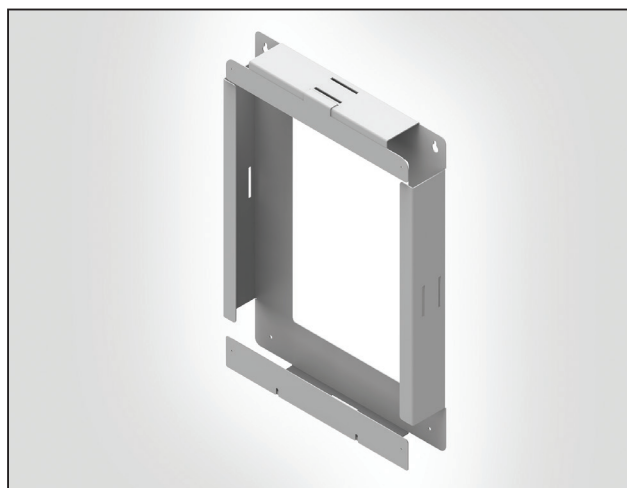
Fibre Optic Enclosures Accessories

Product Description

The Rear mounting storage brackets have been designed to allow for effective MDU wall mounting at both low and high levels. The MDU is affixed to a back plate which then secures to the wall mounted storage bracket.

It allows engineers to safely remove the MDU and bring it down to working level. The back plate also features a hook system that allows engineers to hang the MDU off the storage bracket and offers flexibility in working methods and environments.

The storage bracket has been designed to hold and store up to 4 metres of drop cable. A number of anchor points are located around the bracket to allow for multiple cable tie points, ensuring stability and security for the stored drop cable.



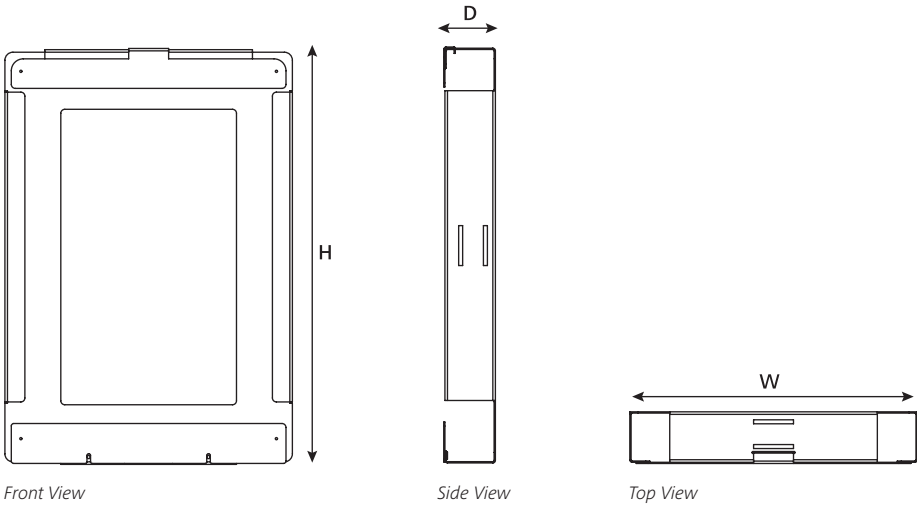
MDU - S5 Loop Storage Basket.

Technical Data

Dimensions (mm)	Depth (D)	Width (W)	Height (H)	Drop Cable Length (L)	Drop Cable Quantity	Material	Colour
	65	360	521	4m	64 x 3mm	Mild Steel	Grey



Technical Diagrams



Front View

Side View

Top View