

EZA-t External

External Divisible Seal

General Data

Item	Divisible Seal
Description	A reusable divisible seal which is suitable for use with empty or occupied duct. The seal includes an integral safety valve, which opens before reaching 10 bar of blowing pressure.



EZA-t-7/0.8-2.5-EXT.



EZA-t-14/8.0-9.5-EXT.



EZA-t-20/8.0-10.5-EXT.

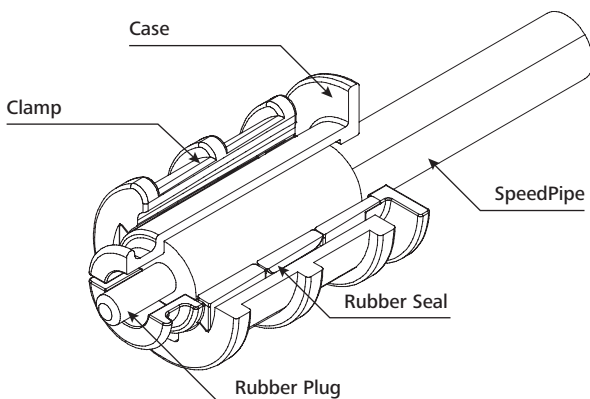


EZA-t-25/15.5-18.0-EXT.

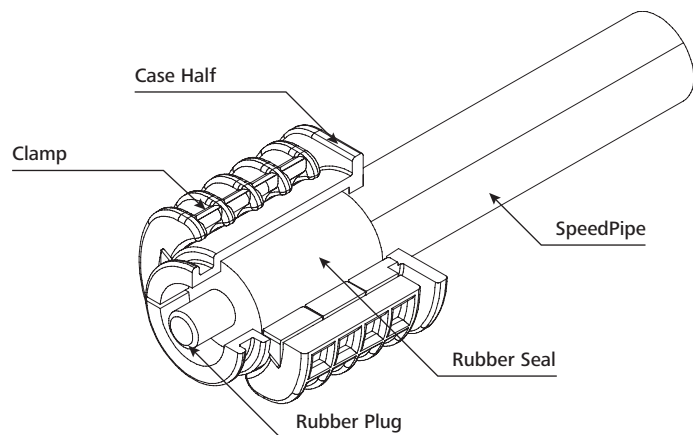
Product Specification

Material		Polyphenylene Oxide (PPO)				
Part Code		Diameter (mm)	Length (mm)	Pack Size		
Dimensions	EZA-t-7/0.8-2.5-EXT	21	43	40		
	EZA-t-14/8.0-9.5-EXT	30				
	EZA-t-20/8.0-10.5-EXT	47	51	20		
	EZA-t-25/15.5-18.0-EXT					
Sealing Range		Pressure	Tensile Strength of Speedpipe	Tensile Strength to Micro Cable		Loading capacity of connecting clamps
		Bar	N	Diameter of Cable	N	N
Tensile Strength / Loading Capacity of Connecting Clamps	EZA-t-7/0.8-2.5-EXT	0.5	Min. 70	4.0mm	Min. 20	Min. 750
	EZA-t-14/8.0-9.5-EXT		Min. 140	8.0mm	Min. 60	
	EZA-t-20/8.0-10.5-EXT		Min. 200	13.0mm	Min. 95	Min. 1550
	EZA-t-25/15.5-18.0-EXT		Min. 250	16.7mm	Min. 128.5	
Fire Behaviour (DIN EN 13501-1)		E - d2				

Technical Drawing



EZA-t 7 and 14.



EZA-t 20 and 25.